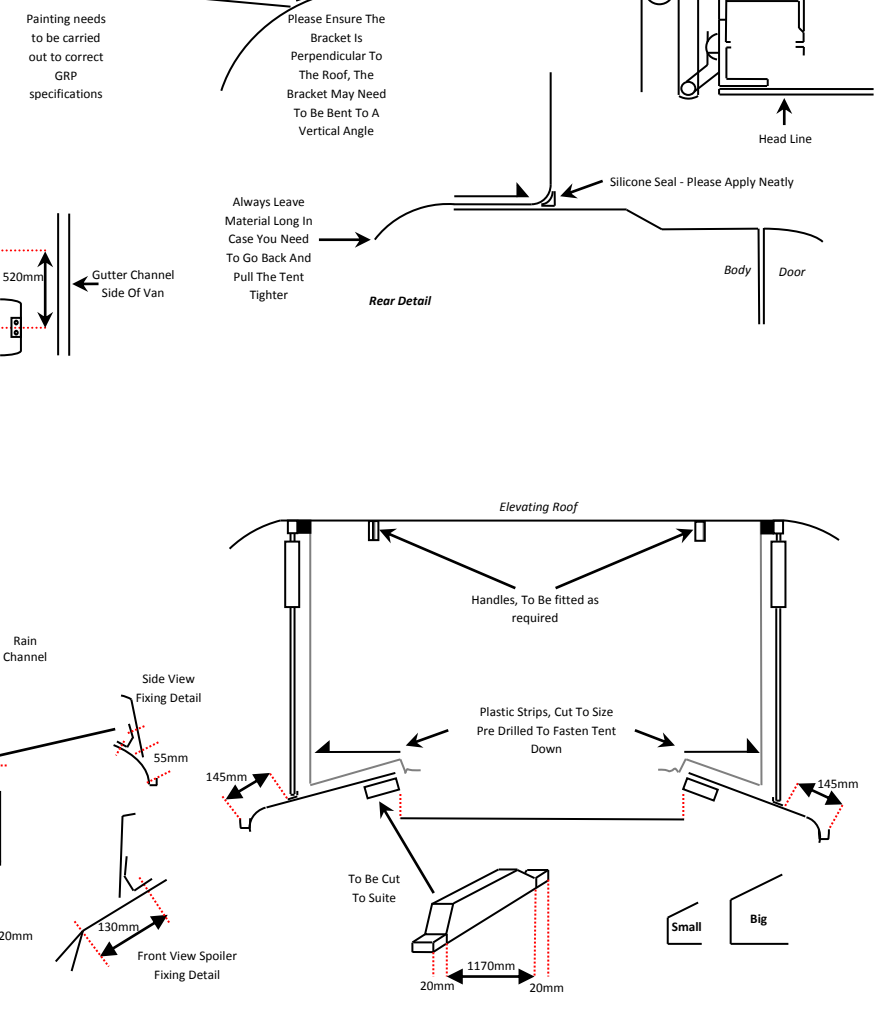
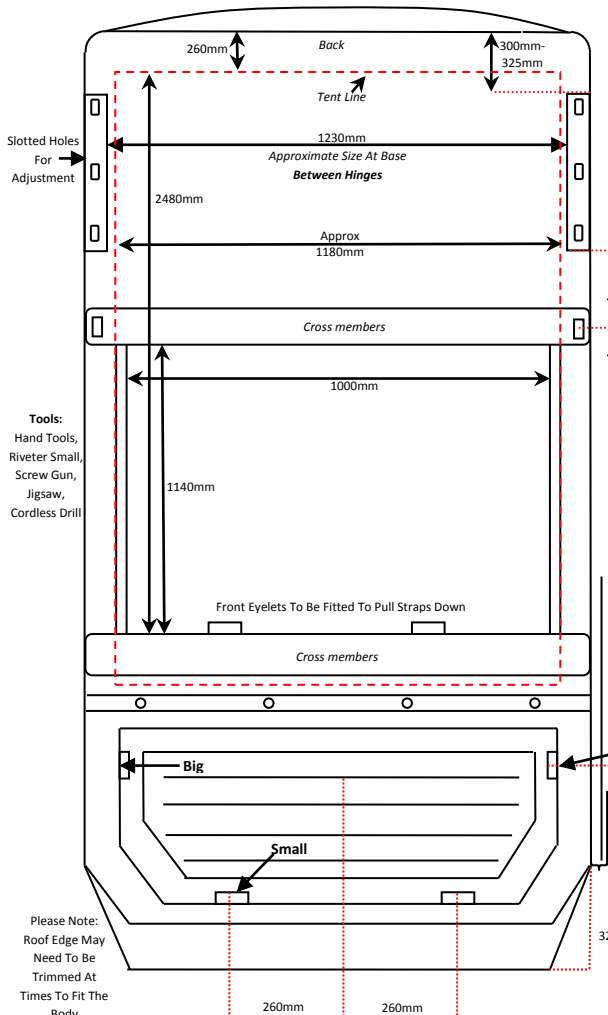
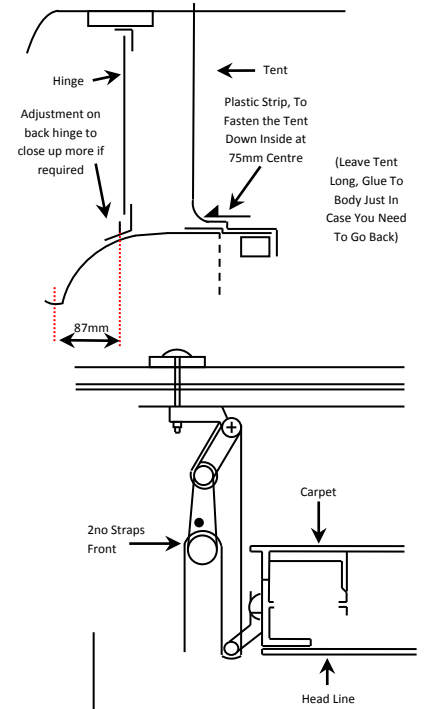
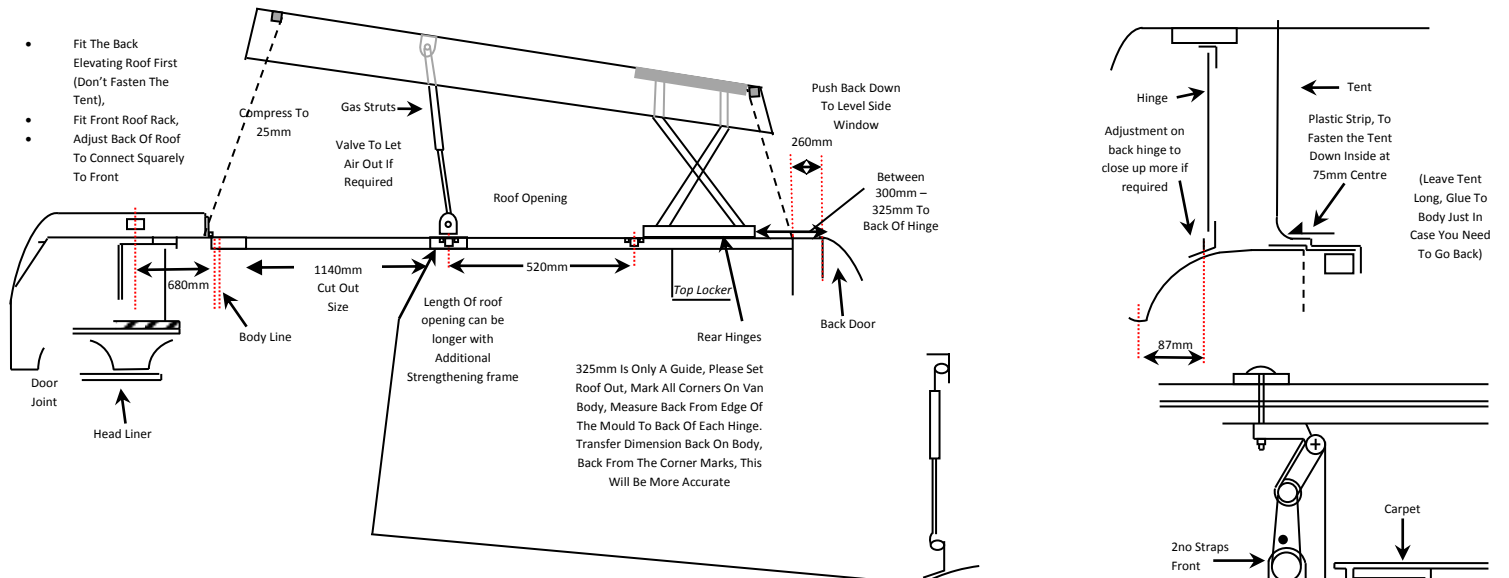


T2 BAY WINDOW FRONT ELEVATOR

TEL: 0191 4191111
MOB: 07980025688

- Fit The Back Elevating Roof First (Don't Fasten The Tent),
- Fit Front Roof Rack, Adjust Back Of Roof To Connect Squarely To Front



GENERAL INFORMATION

ADJUST THE HEIGHT OF THE ROOF TO LEVEL SIDE WINDOWS
ALWAYS FIT THE TENT WITH GAS STRUTS SLIGHTLY COMPRESSED
PREDRILLED PLASTIC STRIPS AND FILE AROUND ALL CORNERS
USE STRAPS TO HOLD ROOF COMPRESSED 25MM FRONT
ALWAYS PULL TENT IN AT THE REAR HINGES WITH CLOSING
PAINTING CAN ONLY BE DONE TO CORRECT GRP SPECIFICATION

DO NOT PULL TENT DOWN AT SIDES TO TIGHTLY WHEN INSTALLING
DO NOT PULL ROOF DOWN WITH THE TENT SEAL STILL WET WITHOUT DRYING IT OUT
ALWAYS ENSURE YOU PULL THE TENT FREE OF THE HINGES AT THE BACK WHEN CLOSING
DO NOT CLOSE THE ROOF WITH THE ELEVATING BED UP
HANDLES & FIXINGS STRAP BRACKETS SUPPLIED SEPARATING TO FIT AS REQUIRED